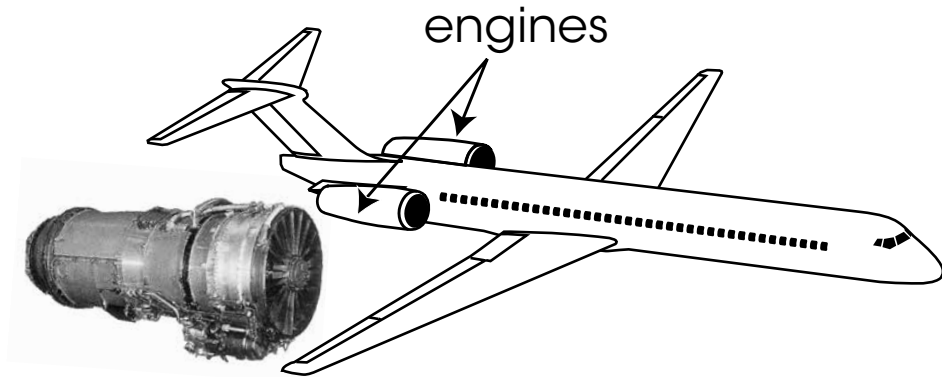
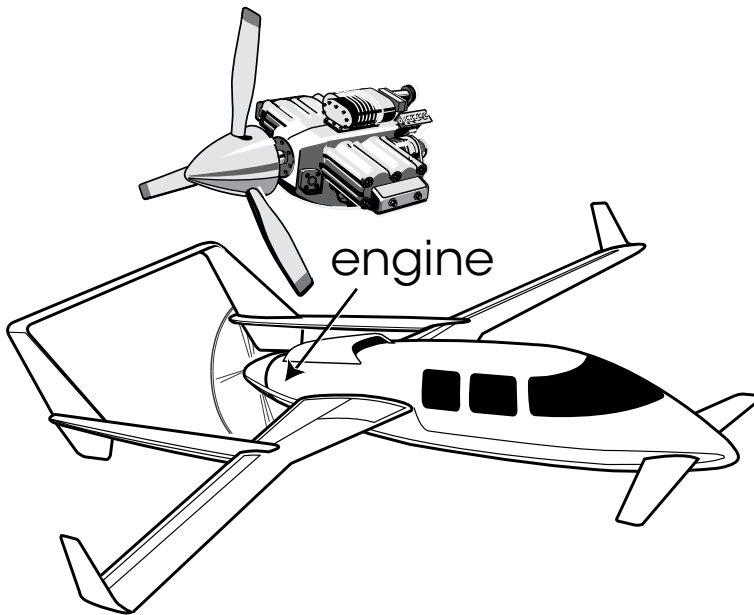


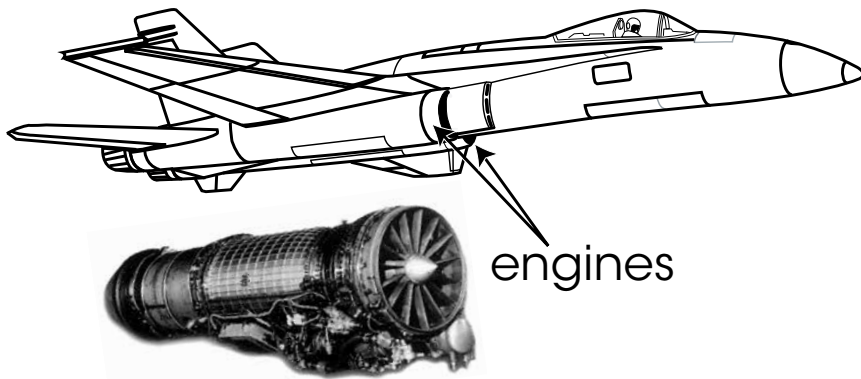
There was an airplane race. Draw a line from the trophy to the aircraft in the order it finished.



1,500 mph



550 mph



410 mph