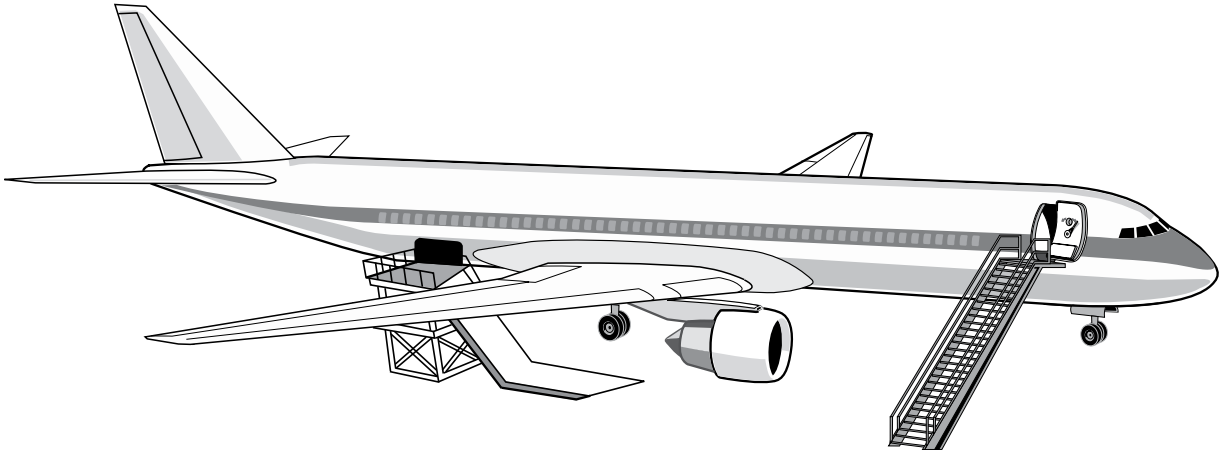


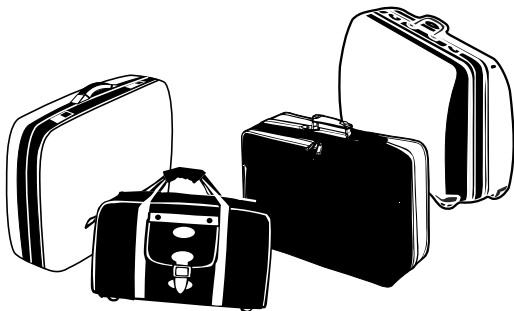
Ii Ii

in

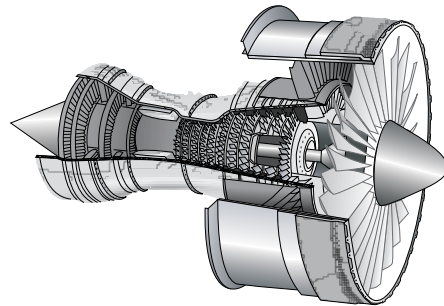
Draw a line to where the passengers, luggage, and engine go **into** the airplane.



passengers



luggage



engine